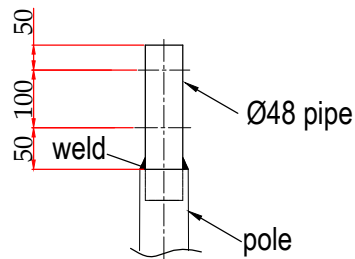
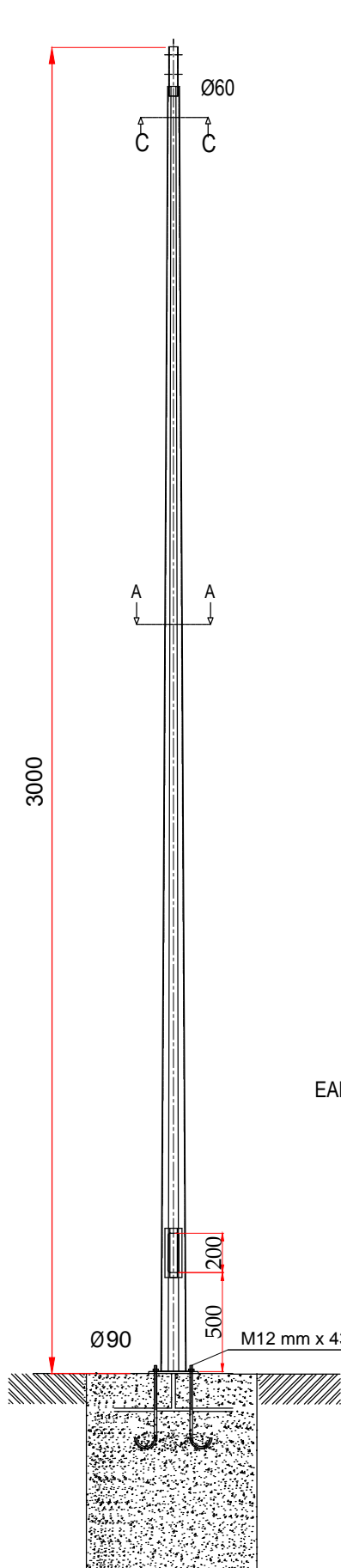


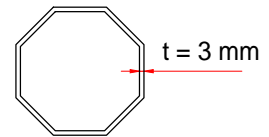
3M OCTOGONAL

Model : PLG3M
HOT DIP GALVANIZED POLE

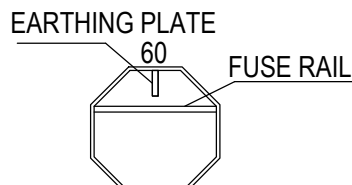
Without Cross Arm



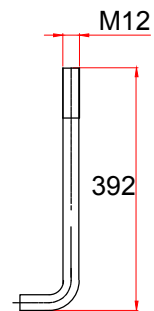
C-C Section



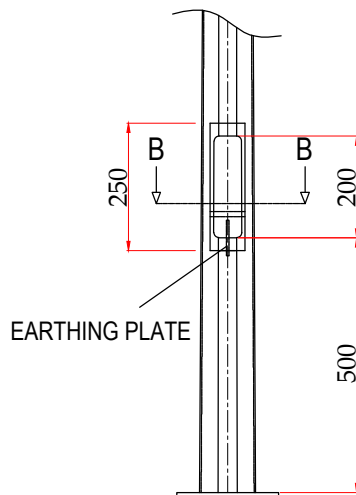
A-A Section



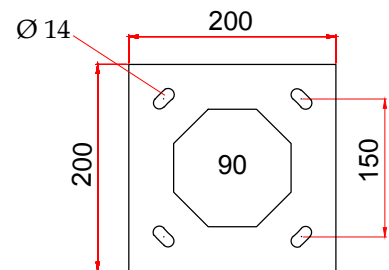
B-B Section



4 X M12 x 432 Anchor Bolts



FUSE DETAIL



BASE PLATE
8mm x 200 x 200

NOTA: TOTI STALPII SE POT PERSONALIZA IN
FUNCTIE DE CERINTELE PROIECTULUI

Plate Standard : EN 10025
Production Standard : EN 40-5
Galvanizing Standard : EN 1461

URBIO PALAGIO SRL

Str 1 Decembrie, nr 14, Selimbar, Jud Sibiu

ST-O.3M. Model:PLG3M

without Cross Arm

Steel : S235 S235JR (ST37)

www.palagio.ro

Rev : 1