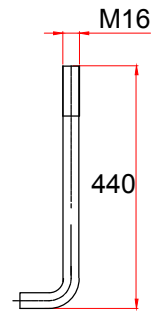
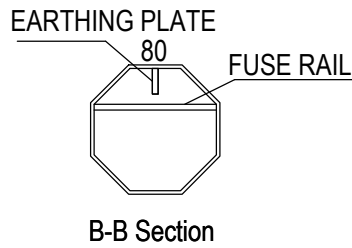
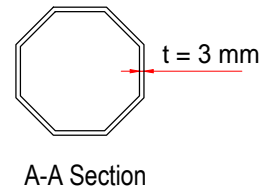
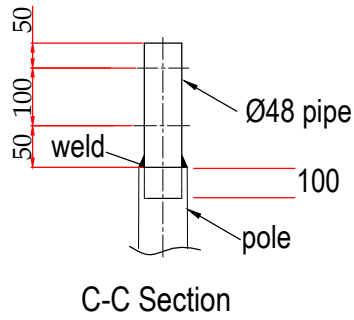
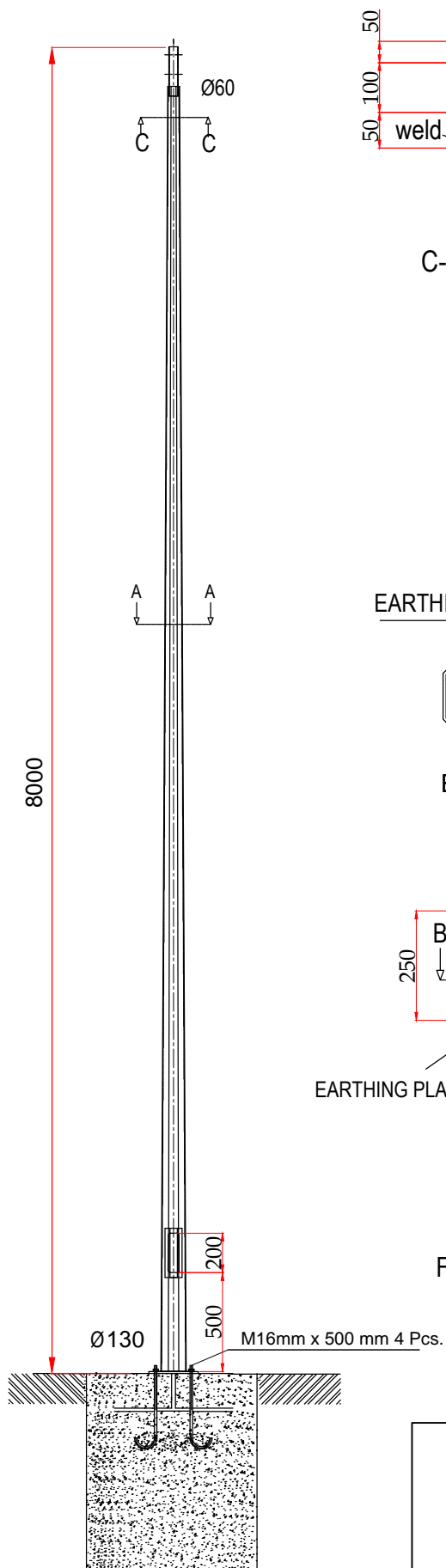


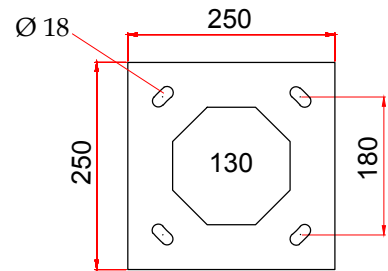
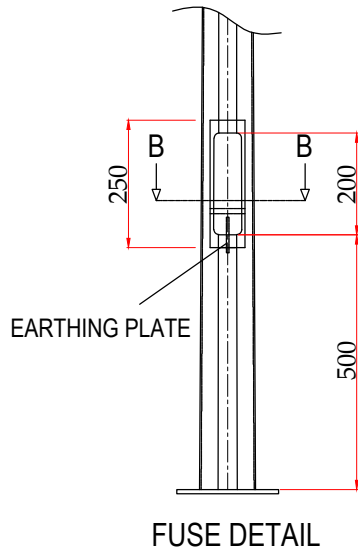
# 8M OCTOGONAL

Model : PLG8M  
HOT DIP GALVANIZED POLE

Without Cross Arm



4 X M16 x 500 Anchor Bolts



BASE PLATE  
10mm x 250 x 250

NOTA: TOTI STALPII SE POT PERSONALIZA IN  
FUNCTIE DE CERINTELE PROIECTULUI

Plate Standard : EN 10025  
Production Standard : EN 40-5  
Galvanizing Standard : EN 1461

**URBIO PALAGIO SRL**

Str 1 Decembrie, nr 14, Selimbar, Jud Sibiu

ST-O.8M. Model:PLG8M

without Cross Arm

Steel : S235 S235JR (ST37)

www.palagio.ro

Rev : 1